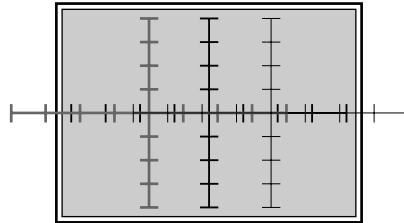


Adjusting the CRT Conversion Angle

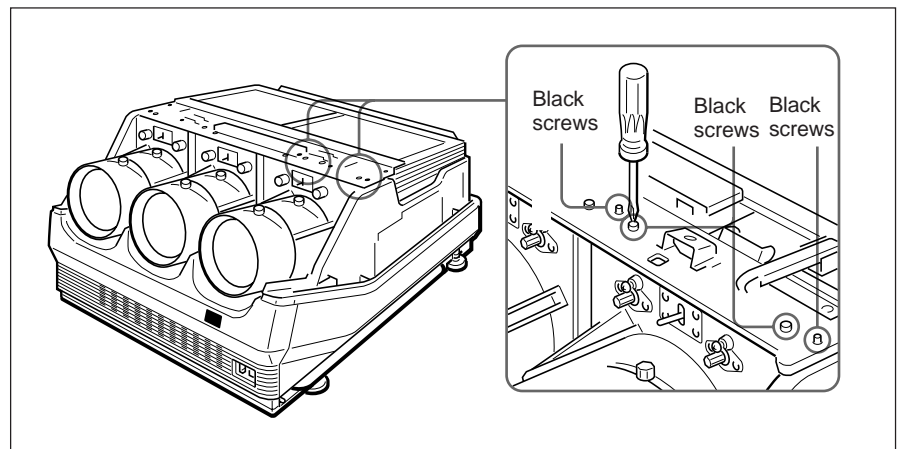
Adjust the CRT conversion angle so that the three CRT images converge exactly.

- 1** Remove the upper cover.
For how to remove the upper cover, see page 17 (EN).
- 2** Turn on the power of the projector.
- 3** Set the remote control to the service adjustment mode.
For details, see "Preparation" on page 37 (EN).
- 4** Reset the green, red and blue centering.
For details, see "Resetting the Data" on page 100 (EN).
- 5** Make sure that the on-screen display is shown as follows:
 - The center of the green HATCH pattern aligns with the horizontal center of the screen.
 - The center of the red and blue HATCH patterns align at even intervals from the green HATCH pattern.



If the center of the green HATCH pattern does not align with the center of the screen, re-install the projector correctly.

- 6** Loosen the four red CRT fixing screws (black) by using the Philips screwdriver. Make sure not to remove the screws.



-
- 7** Move the red lens right and left to adjust the CRT conversion angle so that the vertical line of the red HATCH pattern converges with that of the green pattern.
 - 8** When the HATCH pattern aligns with the green pattern correctly, tighten the four CRT fixing screws loosened in step **6**.
 - 9** Repeat steps **6** to **8** to loosen the four blue CRT fixing screws (black), adjust the blue CRT conversion angle and tighten the four CRT fixing screws.